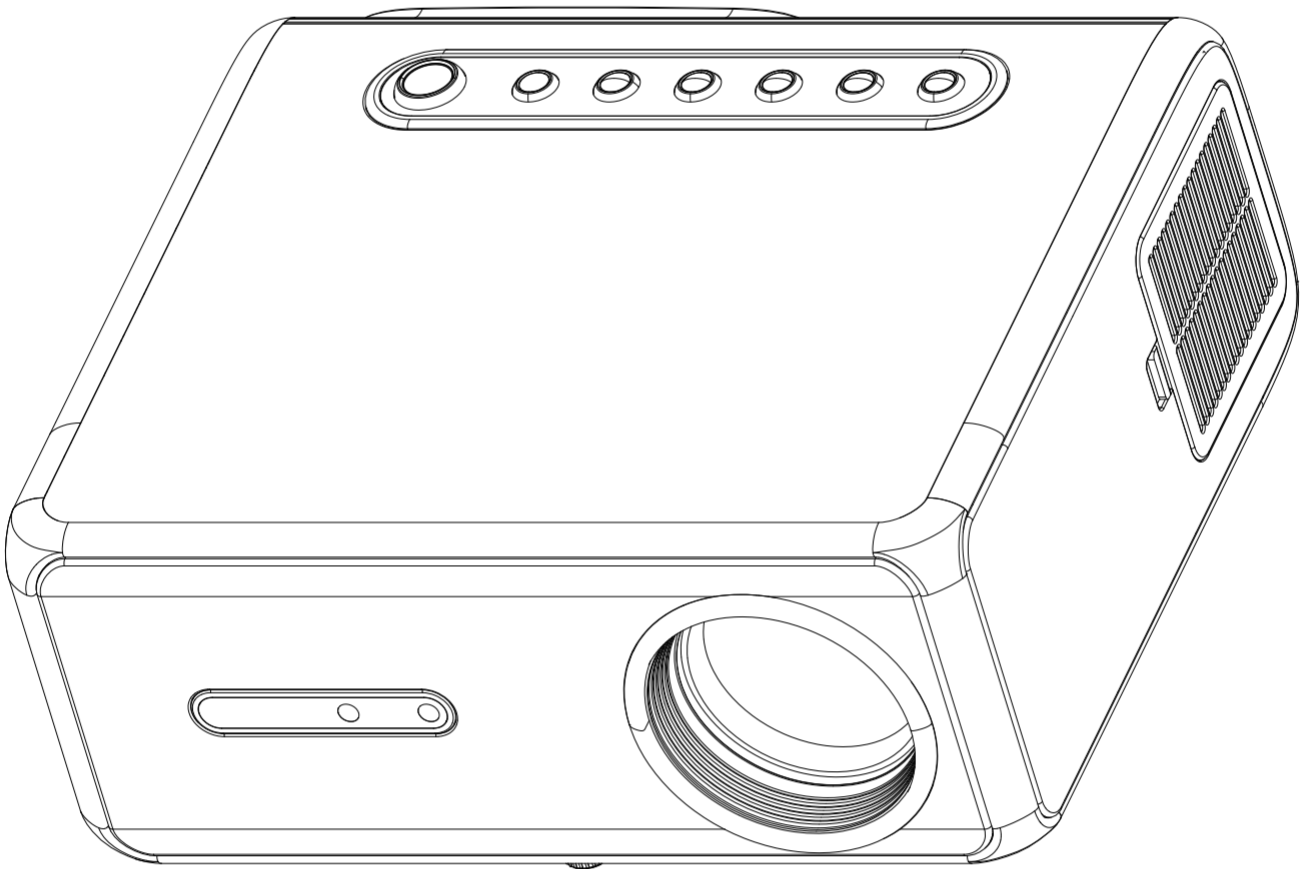


USER'S MANUAL



YP530



Before using the projector, please read the instructions carefully.

Safety Precautions

In order to ensure safe use of the machine, be sure to read it carefully before use.

Warning!

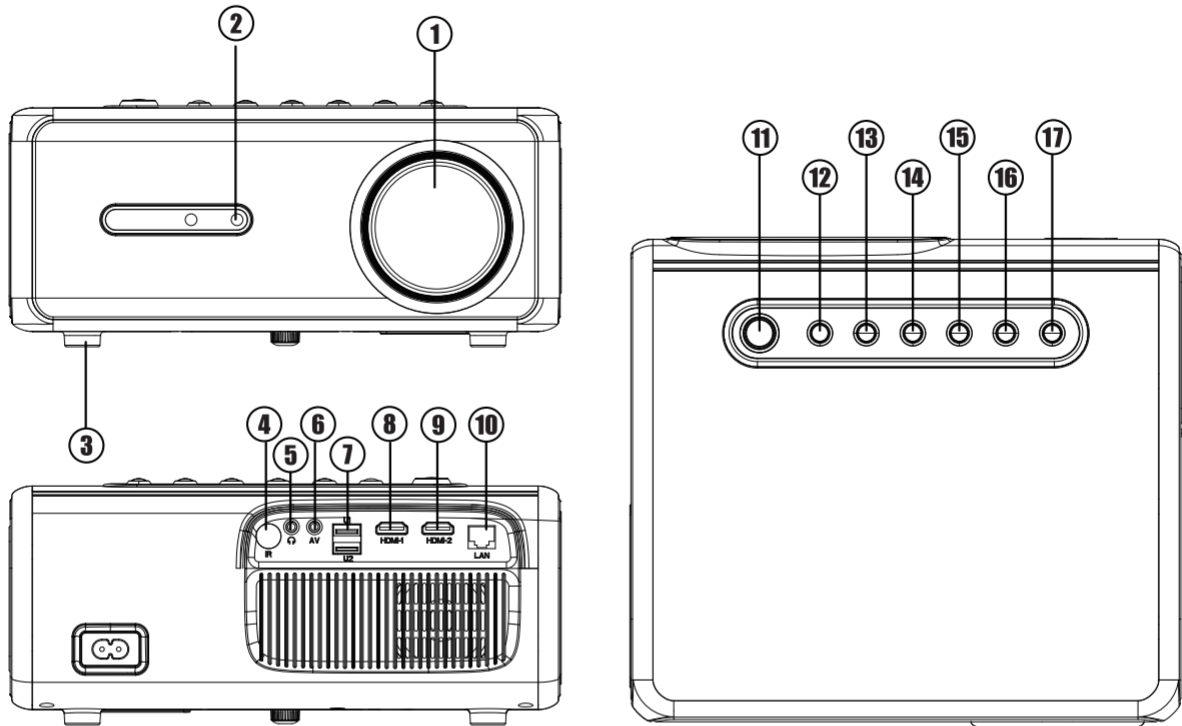
How to use the projector correctly?

1. Do not look directly into the lens when the projector is working, the strong light will hurt the eyes.
2. Do not block the air outlet to avoid damaging the cooling function of the internal electronic equipment.
3. Do not use chemicals, cleaners or water to clean, but also to avoid rain, moisture and colorless liquid corrosion of the circuit board.
4. Keep the projector and accessories out of reach of children.
5. Keep the working environment of the projector dry and ventilated.
6. Do not put the projector in too hot or too cold environment, high or low temperature will shorten the service life of the device. The optimum temperature is 5°C~35°C.
7. Do not use heating equipment for dehumidification including but not limited to dryers and microwave ovens.
8. Do not press or place heavy objects on the projector to prevent damage
9. Do not throw, hit or shake the projector to prevent damage to the internal wiring.
10. Please contact after-sales service if you have any questions. Do not disassemble yourself.
11. Do not repair the projector yourself, if the projector does not work properly, please contact after-sales service repair.

Product List

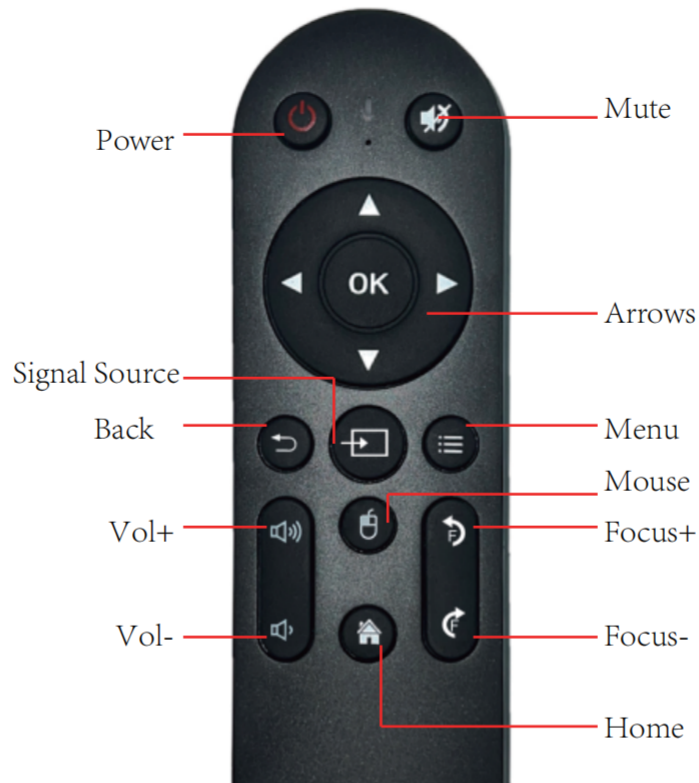
1, projector 2, remote 3, user manual 4, power cord 5, HDMI cable

Appearance And Function Introduction

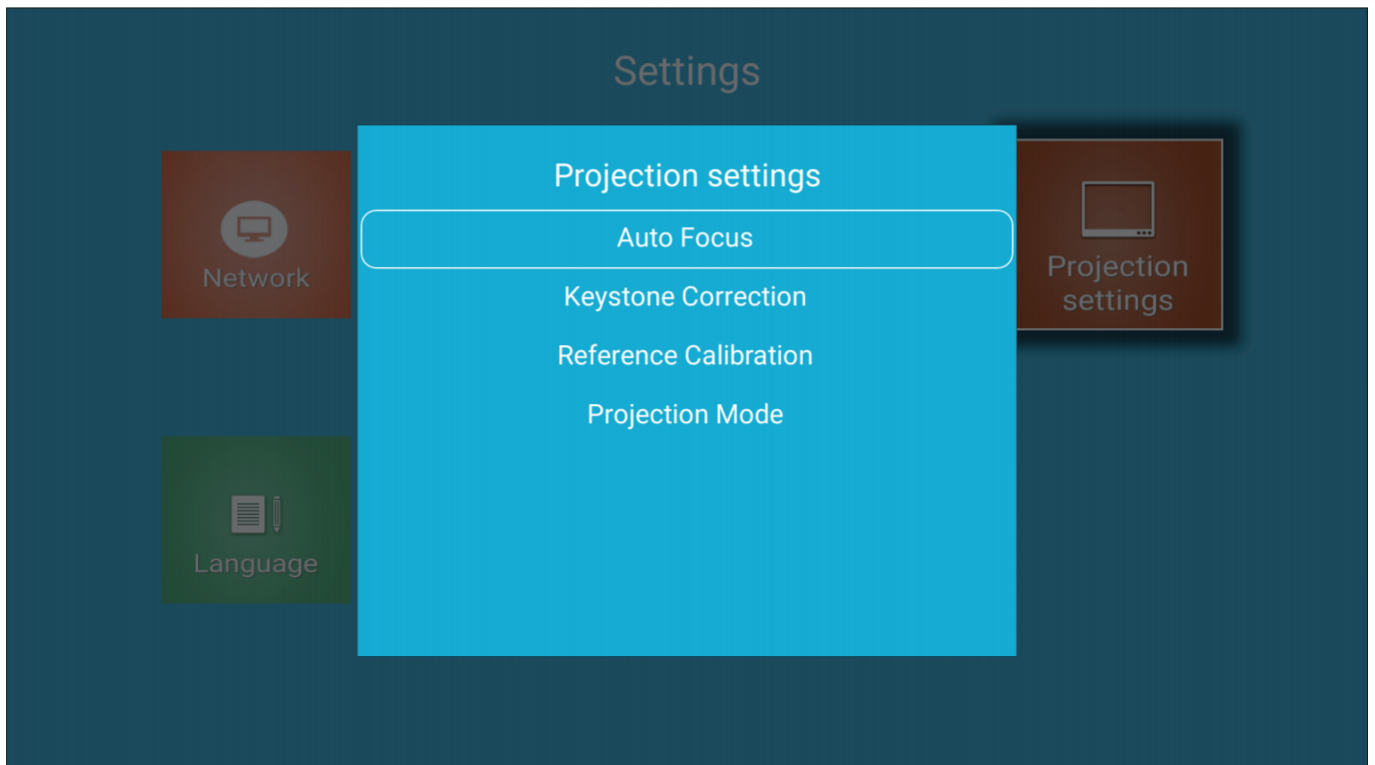


- | | | |
|-----------------|----------|------------------|
| 1、Lens | 6、AV | 13、Signal Source |
| 2、Focusing lens | 7、USB | 14、Back |
| 3、Rubber Foot | 8-9、HDMI | 15、Confirm |
| 4、Keys | 10、LAN | 16、UP |
| 5、Keystone | 11、Power | 17、Down |
| | 12、Menu | |

Remote Control Button And Function



Automatic Focus



The auto focus function is enabled by default.

Projection Specification

Display	light source	Projective ratio	projector distance	Projected size
LCD	LED	1.3	1.2-5.7	40-200 inch

Native resolution	Support resolution	Support Video	Support audio	Support picture
1920*1080	4K、1080P、720i、720P、576i、567P	AV/MP4/MKV//MOV/3GP/MPEG-1/MPEG-2/MPEG-4 ASP/MJPEG/H.264/XVID/Divx3-Divx5/XviD/H.264/H.265/VC-1/RV8、9/WMV3	MP2/MP3/PCM/FAC/WMA/AAC/AAC-LC/DPCM/Audio Layrr/APE/MPEG	BMP/JPG/JPEG/PNG/GIF

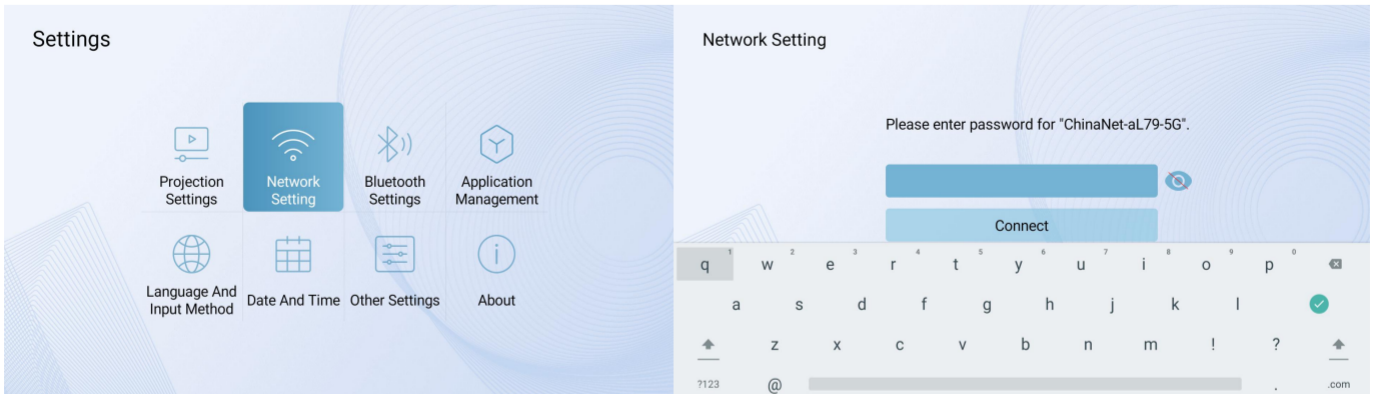
Projection Distance, Dimension

Projected size	projector distance	projected area (m*m)
60	1.73	1.33*0.74
80	2.3	1.77*1
100	2.88	2.21*1.25
120	3.45	2.65*1.5
200	5.75	4.42*2.5

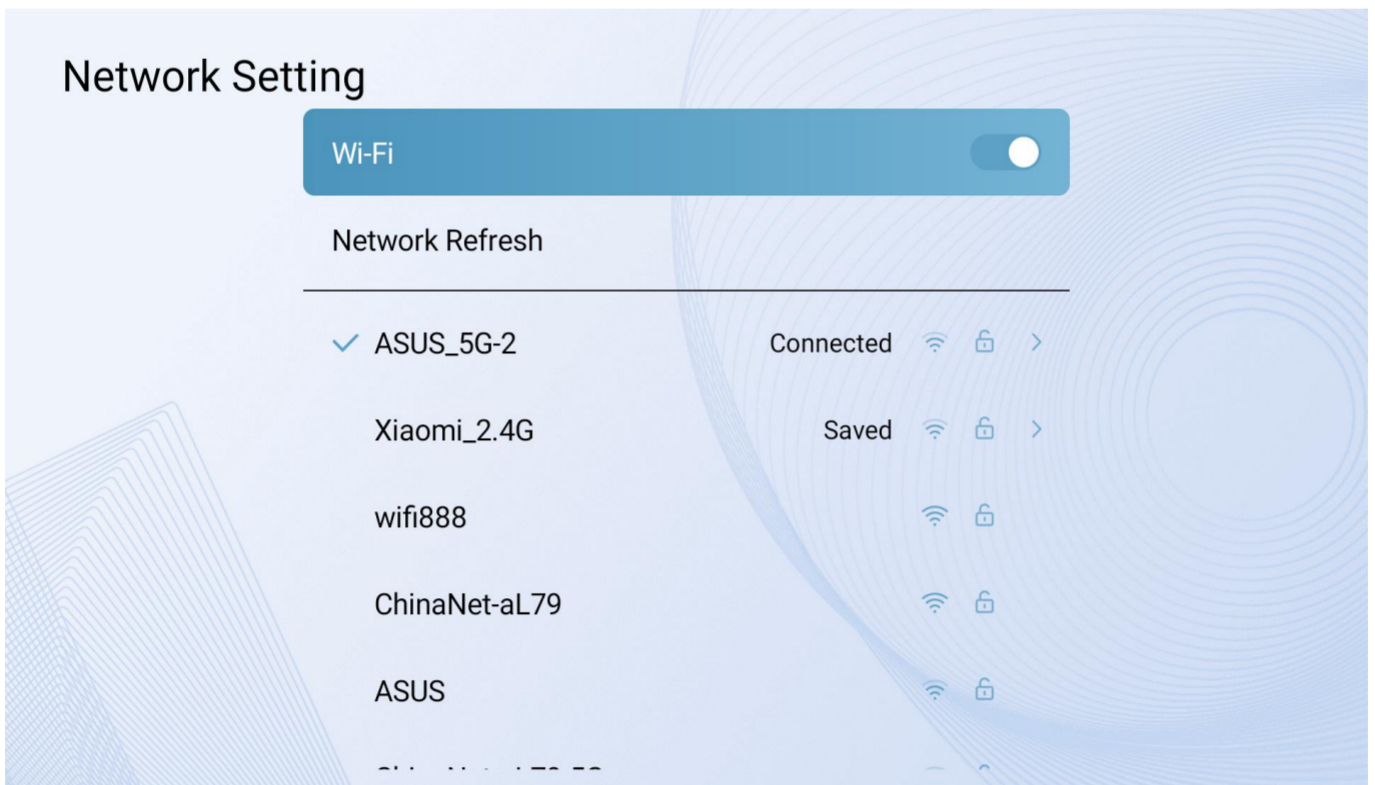
Operating Guide

1. Insert the power plug into the socket first, and then insert the other end into the projector
2. Press the power button to turn on the projector
3. Connect related devices to the projector
4. adjust the focus knob for the best display effect
5. select the content that can be supported to play

WiFi Connection

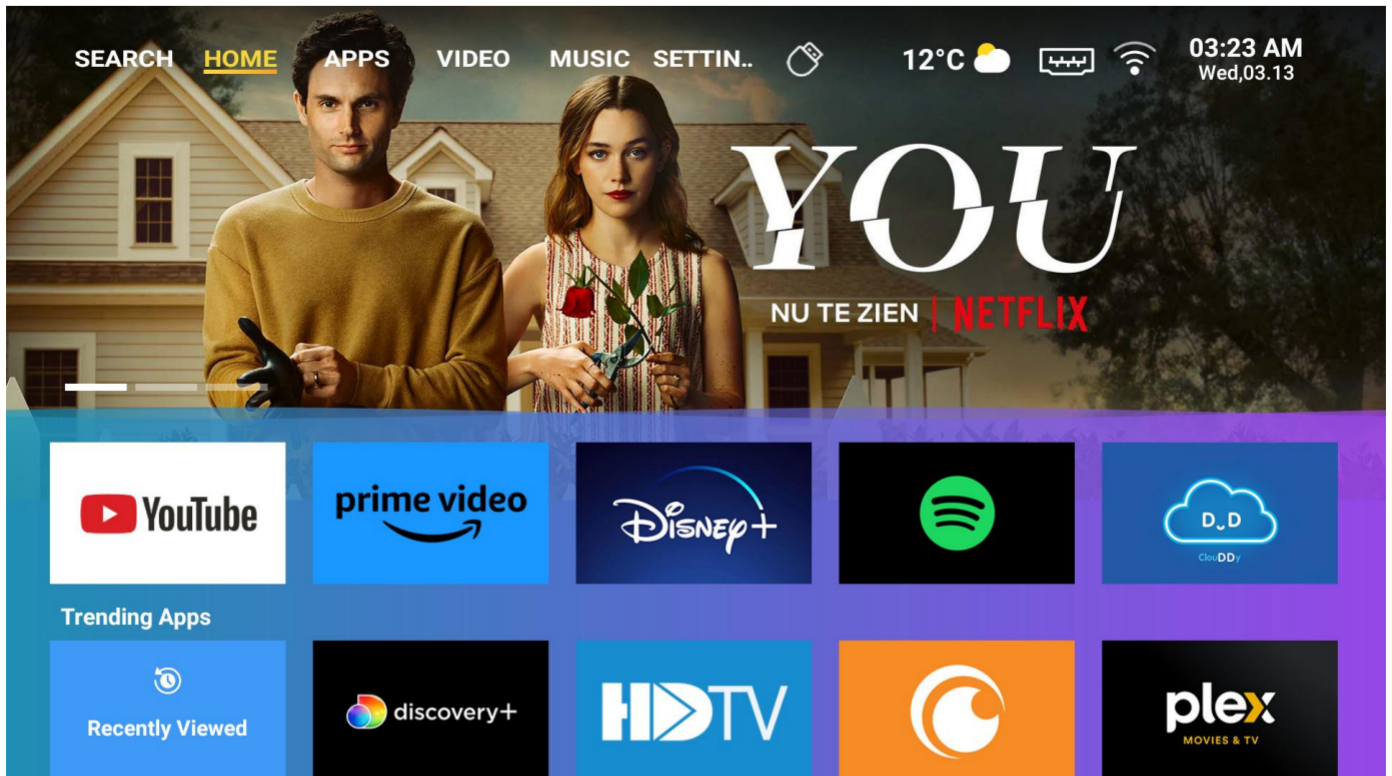


Select settings and then network

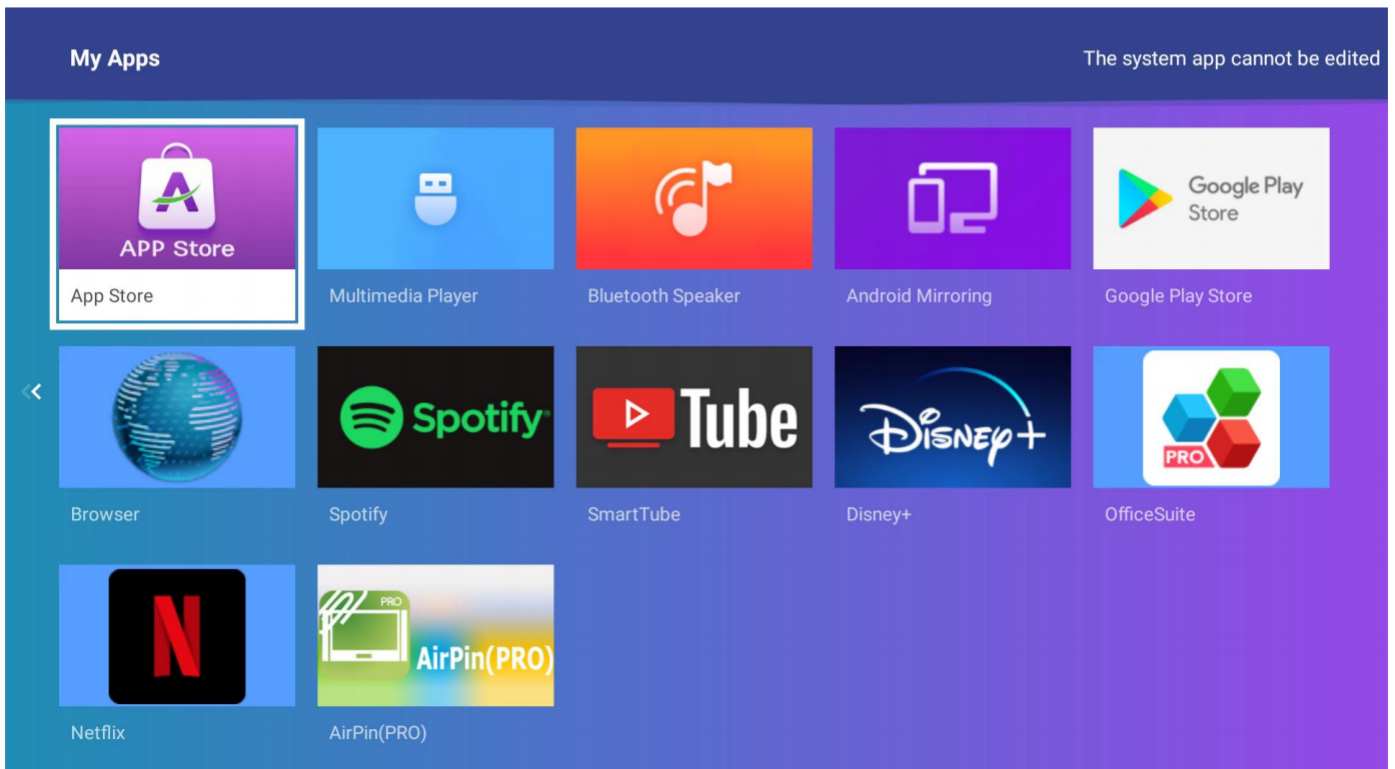


Select your wifi network and enter the correct password to complete the connection

Interface Introduction



USB: Connect a USB flash drive for local playback. HDMI: Connect the HDMI output device for screen projection. My application: System pre-installed application and customer download application. Settings: Select Settings and press the OK key to go to the Settings page



Projection setting: Move select "Projection Setting" and press "OK" to enter the setting page

