



ROJO FOX

Manual

RF-PB10

SPECIFICATION

PRODUCT: RF-PB10

BATTERY: LI-POLYMER BATTERY

SIZE: 5000mAh 108.5*66.5*8.8mm

10000mAh 108.5*66.5*15.8mm

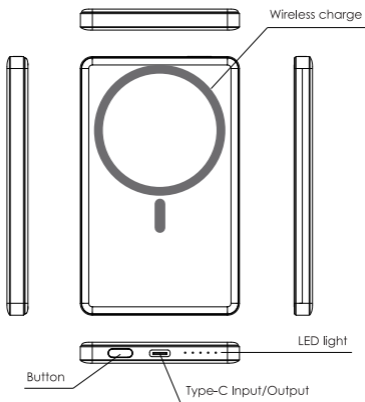
TYPE-C Input: 5V/2.4A;9V/2A

TYPE-C Output: 5V/3A;9V/2.22A;12V/1.5A

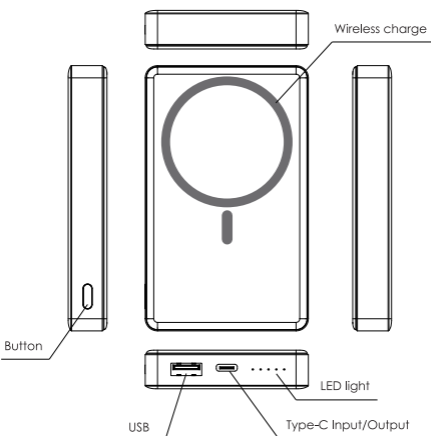
USB Output: 5V/3A 9V/2A 12V/1.5A

Output: Magnetic Wireless 15W/10W/7.5W/5W

5000mAh



10000mAh



QUICKSTART GUIDE

To charge devices: Plug in your device to the TYPE-C port. The power bank will automatically charge your device. The device will auto power off/enter a sleep mode when no devices are plugged in. Never worry about forgetting to power off that battery.

Magnetic Feature: Magnetic wireless charging for iPhone Magnetic series; Power bank perfectly aligns magnetically to your phones every time;

Wireless charger function: Attach the wireless charging position of your phone to the wireless charging area of the product, it will automatically wireless charging your phone.

When the green light is on, it indicates that wireless charging is working. When the blue light is on, it indicates that wireless charging enters into fast charging.

FOD function: when in foreign object detection status, green light flashing.

HOW TO CHARGE THE BATTERY

- 1) Plug in TYPE-C to input.
- 2) The LED indicators will flash when the device is charging.
- 3) All the indicators will light when the power bank is fully charged.

INDICATOR

LED Indicators (ON OFF)	Battery Left
•	≤25%
••	25%~50%
•••	50%~75%
••••	75%~ 100%

PRECAUTIONS

- 1) Usual charging time for the device is 2-3 hours. Charging time depends on brand of adapters being used due to different specifications.
- 2) Charge indicator: when the unit is charging, the indicator will blink. When device is fully charged the indicator will stay on.
- 3) Original TYPE-C cable is recommended.
- 4) An adapter plug may be required to use the original charging cable for the Galaxy Tab.
- 5) Do not expose product to fire or extremely high temperatures.
- 6) Optimum working temperature for device is lower 60°C.
- 7) Do not attempt to disassemble or modify the battery in order to avoid danger. Use the device with caution-avoid dropping or impact.
- 8) Power bank is subjected to charge and discharge cycle tests before leaving the factory, so if the rechargeable battery is not 100%, it is a normal situation.



MADE IN CHINA